

# REV HYDRO 4

SPECIFICATION SHEET  
STATIC WHITE OUTDOOR

## HIGH LUMEN RECESSED DOWNLIGHT WITH WATERPROOF DESIGN

### Housing

Aperture : Ø4" | Oversize Trim : 4.8" | Maximum Ceiling Thickness : 1"  
Height : 4.2" | Weight : 5.5 lbs

### Material

Housing : Die Cast Aluminum, Glass  
Lens : PC, Glass  
Trim : Flow Forming Aluminum

### Power Input

30W, 40W, 50W | 120V, 277V

### Lumen Output

2,650 lm (30W), 3,320 lm (40W), 4,050 lm (50W)

### Dimming

Standard 0-10V : Dims to 10%  
DALI : Dims to 10%

### Color Quality

CRI 85

### Rated Life

> 60,000 Hours (L70)

### Trim Finish



Black



White



Gray



Bronze



Brushed  
Stainless Steel

### Color Temperature



2700K



3000K



3500K



4000K

### Optics



30°



45°



55°



Wallwash

### Warranty

5 Year limited warranty

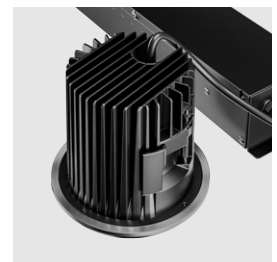
### Listing



## Durable Design, Compact Brilliance.

The REV Hydro series is a waterproof marvel that inherits the revolutionary design of the REV series. Now with an IP65 rating and a robust all-metal body, complemented by a stainless-steel front cover, it is ready to face challenging outdoor environments.

With goof ring options and easy installation, the REV Hydro is flexible, perfectly suited for illuminating outdoor landscapes and enhancing safety in wet areas like pool surroundings.



**SPECIFICATION**

PROJECT NAME

DATE

CATALOG #

QUANTITY

|                                   |                          |                                                        |                                                        |                                      |
|-----------------------------------|--------------------------|--------------------------------------------------------|--------------------------------------------------------|--------------------------------------|
| <input type="text" value="RH4R"/> | MODEL                    | <b>REV HYDRO 4 RETROFIT</b>                            |                                                        |                                      |
| <input type="text"/>              | WATTAGE                  | <b>30</b> 30W                                          | <b>40</b> 40W                                          | <b>50</b> 50W                        |
| <input type="text"/>              | CCT / CRI                | <b>278</b> 2700K / CRI 85<br><b>408</b> 4000K / CRI 85 | <b>308</b> 3000K / CRI 85                              | <b>358</b> 3500K / CRI 85            |
| <input type="text"/>              | VOLTAGE                  | <b>120</b> 120V                                        | <b>277</b> 277V                                        |                                      |
| <input type="text"/>              | DIMMING                  | <b>STV</b> Standard 0-10V dims to 10%                  | <b>DALI</b> DALI dims to 10%                           |                                      |
| <input type="text"/>              | BEAM ANGLE               | <b>30</b> 30°<br><b>WW</b> Wallwash                    | <b>45</b> 45°                                          | <b>55</b> 55°                        |
| <input type="text"/>              | TRIM FINISH <sup>1</sup> | <b>BLK</b> Black<br><b>BRZ<sup>2</sup></b> Bronze      | <b>WHT</b> White<br><b>BSS</b> Brushed Stainless Steel | <b>GRY<sup>2</sup></b> Gray          |
| <input type="text"/>              | RATING                   | <b>OUT<sup>3</sup></b> Outdoor Rating                  | <b>NAT<sup>4</sup></b> Natatorium Rating               | <b>MAR<sup>5</sup></b> Marine Rating |
| <input type="text"/>              | ACCESSORIES              | <b>CP<sup>6,7</sup></b> Concrete Pour                  | <b>NC<sup>7</sup></b> New Construction Panel           | <b>AT<sup>7,8,9</sup></b> Airtight   |

CLEAR FORM

<sup>1</sup> The trim includes a glass cover and a gasket seal to prevent water ingress from below.

<sup>2</sup> Long lead time required

<sup>3</sup> Outdoor Rating: Coating and wiring will be changed to high UV resistant and corrosion resistant materials for long-term operation in outdoor environments

<sup>4</sup> Natatorium Rating: Utilizes high corrosion-resistant materials for both coatings and sealants to prevent damage from long-term exposure to chlorine vapors

<sup>5</sup> Marine Rating: Utilizes high corrosion-resistant materials for both coatings and sealants to prevent damage from long-term exposure to saltwater environments

<sup>6</sup> CP is only compatible with 30W option.

<sup>7</sup> Only one accessory can be chosen.

<sup>8</sup> AT is not compatible with WW option.

<sup>9</sup> Tested in accordance with ASTM E283 to meet air leakage performance standards. Requires specialized installation, including the use of a caulking compound to ensure a properly sealed assembly.

**TECHNICAL DETAILS**

**Electrical**

- 2,650 lm (30W), 3,320 lm (40W), 4,050 lm (50W)
- Power Input : 120V or 277V
- Operating Temperature : -20°F~112°F
- Surge Protection : Built-in is 4KV
- Power Factor Greater than 0.9

**LED Features**

- Color Temperature : 2700K, 3000K, 3500K, 4000K
- CRI 85
- Long lasting LED luminaire tested under TM21 lumen maintenance L70 @ 60,000 Hrs

**Optics**

- PC Lens, Glass
- Beam Angle : 30°, 45°, 55°, Wallwash

**Advanced Dimming**

- Standard 0-10V : Dims to 10%
- DALI : Dims to 10%

**Retrofit Housing**

- Aperture : Ø4"
- Height : 4.2"
- Weight : 5.5 lbs
- Material : Die Cast Aluminum, PC, Flow Forming Aluminum, Glass
- Non-IC Rated, insulation must be kept >1ft from housing
- Opening of Mounting Frame : 3.9" to 4.3" Max
- Oversize Trim : 4.8"
- Maximum Ceiling Thickness : 1"
- Light engine, optics, and driver(s) accessible from below ceiling

**Warranty**

- 5-year limited warranty

**Listing**

- ETL Wet Location Listed
- FCC
- UKCA
- IP 65
- ASTM E283

**PERFORMANCE SUMMARY\***

| Delivered Lumens |         |         |         |         |
|------------------|---------|---------|---------|---------|
| CCT/<br>WATTAGE  | 2700K   | 3000K   | 3500K   | 4000K   |
| <b>30W</b>       | 2,400lm | 2,500lm | 2,600lm | 2,650lm |
| <b>40W</b>       | 3,020lm | 3,150lm | 3,250lm | 3,320lm |
| <b>50W</b>       | 3,700lm | 3,850lm | 3,950lm | 4,050lm |

| Current Consumption |       |       |
|---------------------|-------|-------|
| WATTAGE / VOLT      | 120V  | 277V  |
| <b>30W</b>          | 0.28A | 0.12A |
| <b>40W</b>          | 0.36A | 0.15A |
| <b>50W</b>          | 0.46A | 0.20A |

\*Tolerance ±8%

**TRIM FINISH**

---



Black Finish



White Finish



Gray Finish

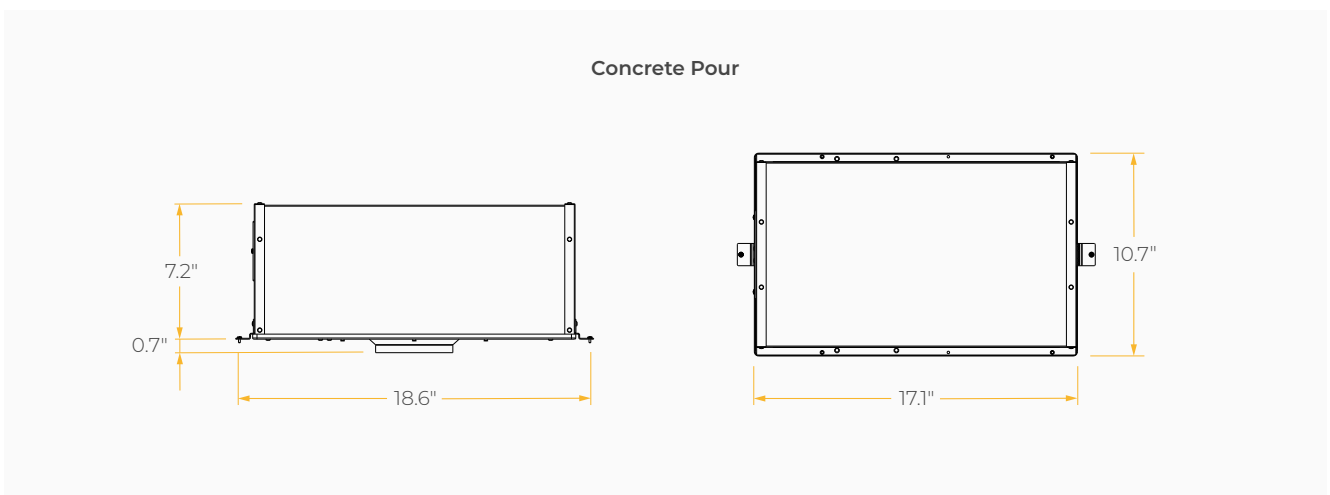
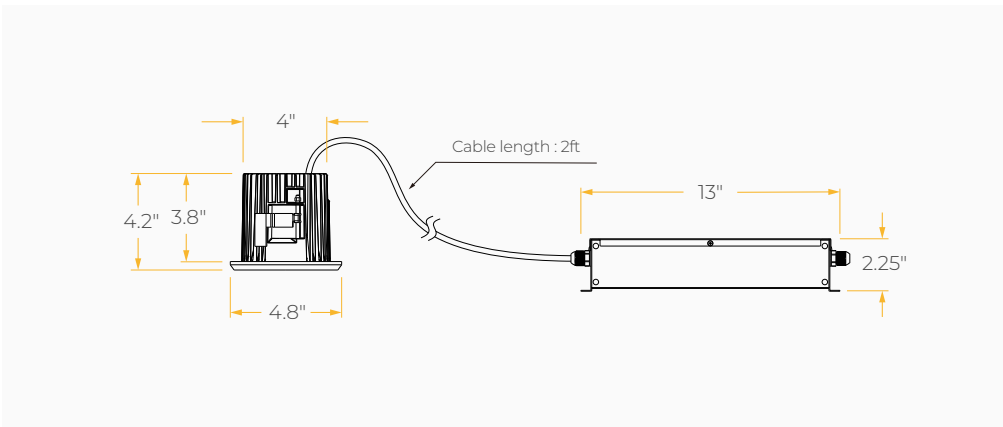
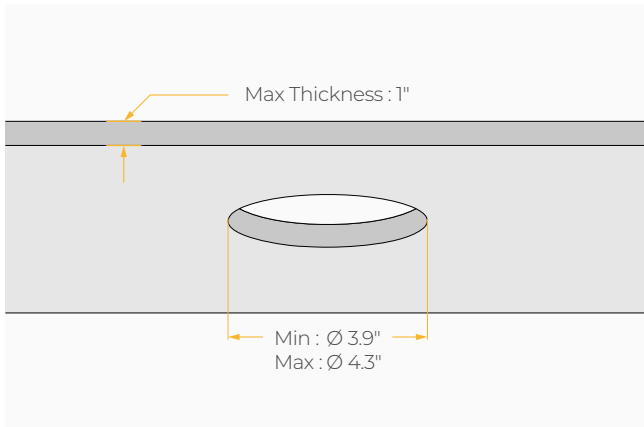


Bronze Finish



Brushed Stainless Steel

**DIMENSIONS**



**DIMENSIONS**

New Construction Panel

